



US00D669293S

(12) **United States Design Patent**  
**Doty**

(10) **Patent No.:** **US D669,293 S**

(45) **Date of Patent:** **\*\* Oct. 23, 2012**

(54) **BEER TAP**

(76) Inventor: **Douglas H. Doty**, Inverness, FL (US)

(\*\*) Term: **14 Years**

(21) Appl. No.: **29/399,924**

(22) Filed: **Aug. 19, 2011**

(51) **LOC (9) Cl.** ..... **07-01**

(52) **U.S. Cl.** ..... **D7/301; D7/398**

(58) **Field of Classification Search** ..... D7/301,  
D7/398, 397, 300; 222/185.1, 78; 123/54.4  
See application file for complete search history.

(56) **References Cited**

U.S. PATENT DOCUMENTS

2,089,269	A *	8/1937	Kirchhan	.....	222/400.7
D273,435	S *	4/1984	Lipschutz	.....	D2/872
D471,053	S *	3/2003	Conti	.....	D7/301
D475,241	S *	6/2003	Mattiuzzo	.....	D7/398
D490,264	S *	5/2004	Keossian	.....	D7/302
D492,877	S *	7/2004	Weseman	.....	D7/301
7,134,407	B1 *	11/2006	Nelson	.....	123/54.4
D591,099	S *	4/2009	Bruce	.....	D7/301
7,731,061	B1 *	6/2010	Woodhouse et al.	.....	222/175

\* cited by examiner

*Primary Examiner* — Marianne Pandozzi

(74) *Attorney, Agent, or Firm* — Law Office of Steve R. Olsen, PLLC; Steven R. Olsen

(57) **CLAIM**

The ornamental design for a beer tap, as shown and described.

**DESCRIPTION**

FIG. 1 is a front, top, left side perspective view of a beer tap showing a first embodiment of my new design;

FIG. 2 is a front elevation view of the first embodiment of my new design;

FIG. 3 is a rear elevation view of the first embodiment and a second embodiment of my new design;

FIG. 4 is a bottom view of the first embodiment of my new design;

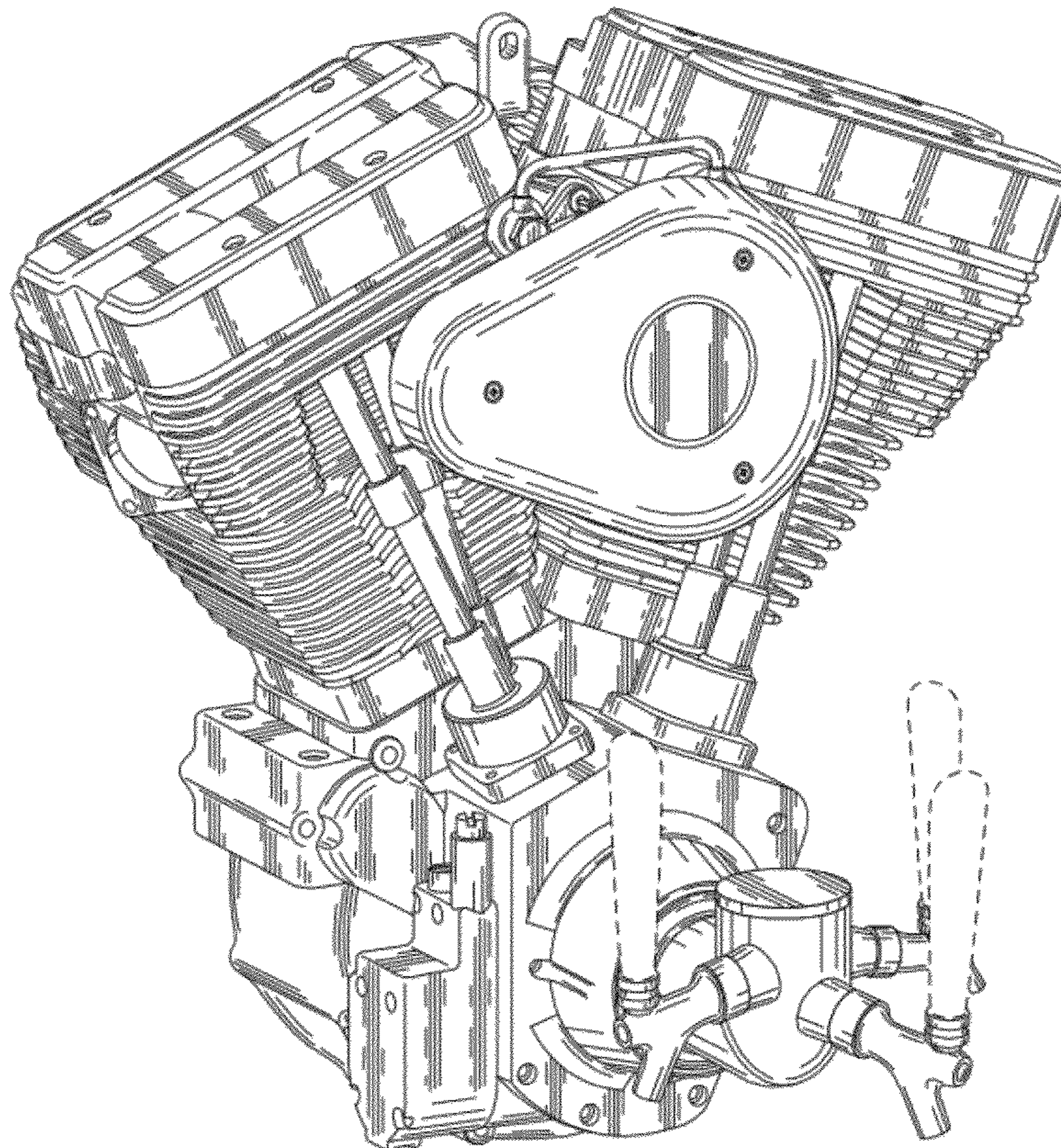
FIG. 5 is a front, top, left side perspective view of a beer tap showing a second embodiment of my new design;

FIG. 6 is a front elevation view of the second embodiment of my new design; and,

FIG. 7 is a bottom view of the second embodiment of my new design.

Tap handles are shown in broken lines for illustrative purposes only and form no part of the claimed design.

**1 Claim, 7 Drawing Sheets**





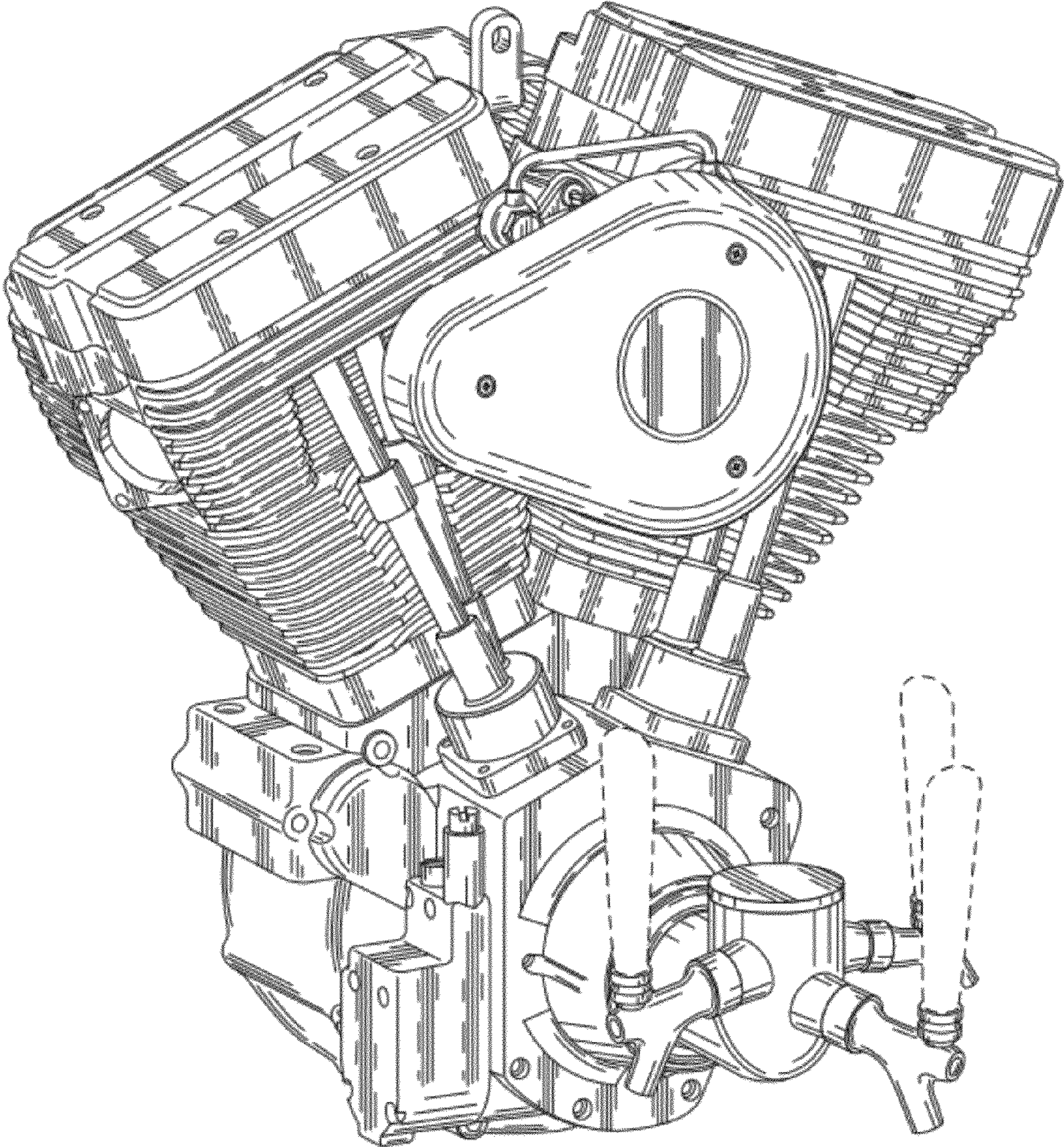


FIG. 1



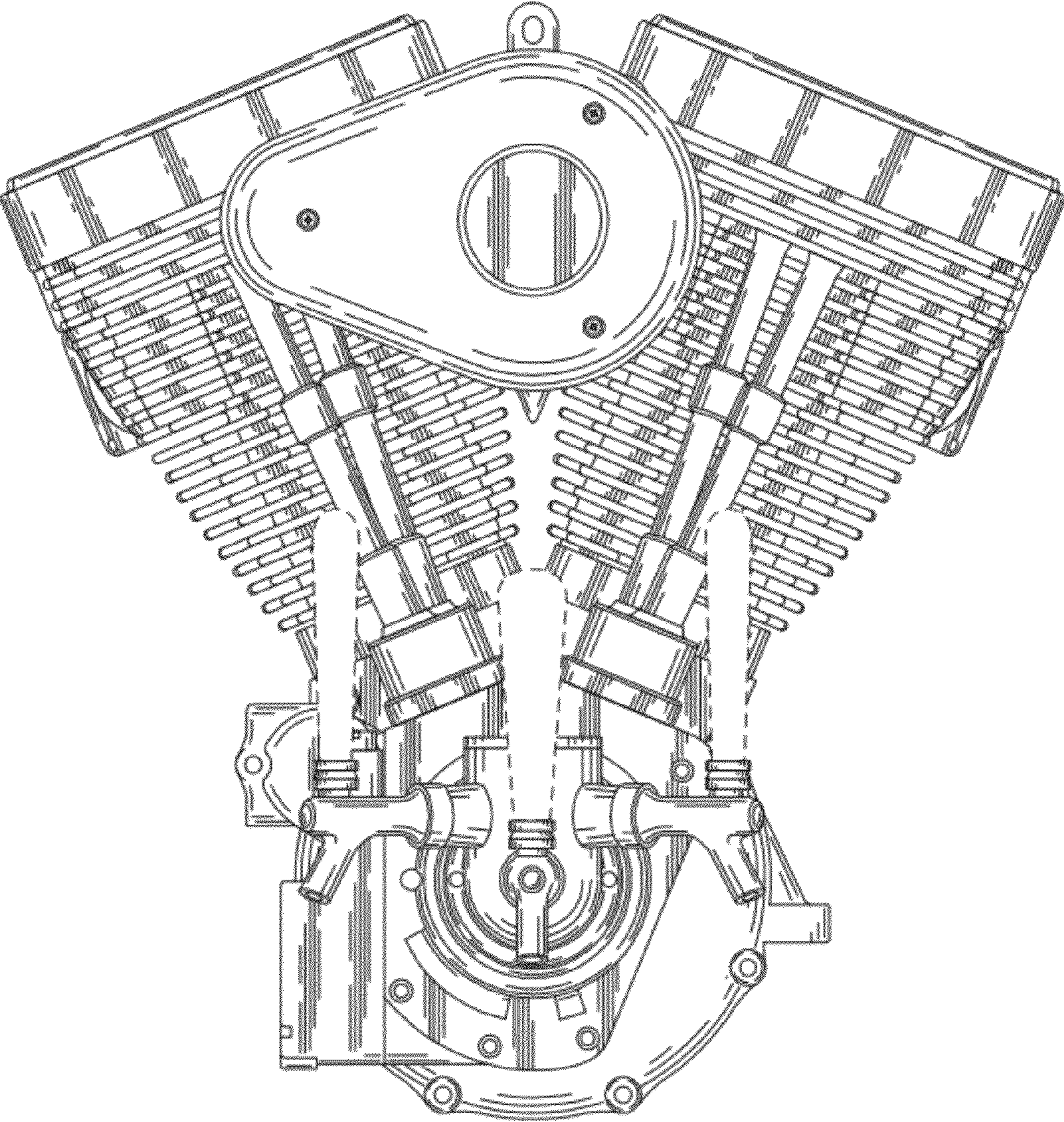


FIG. 2



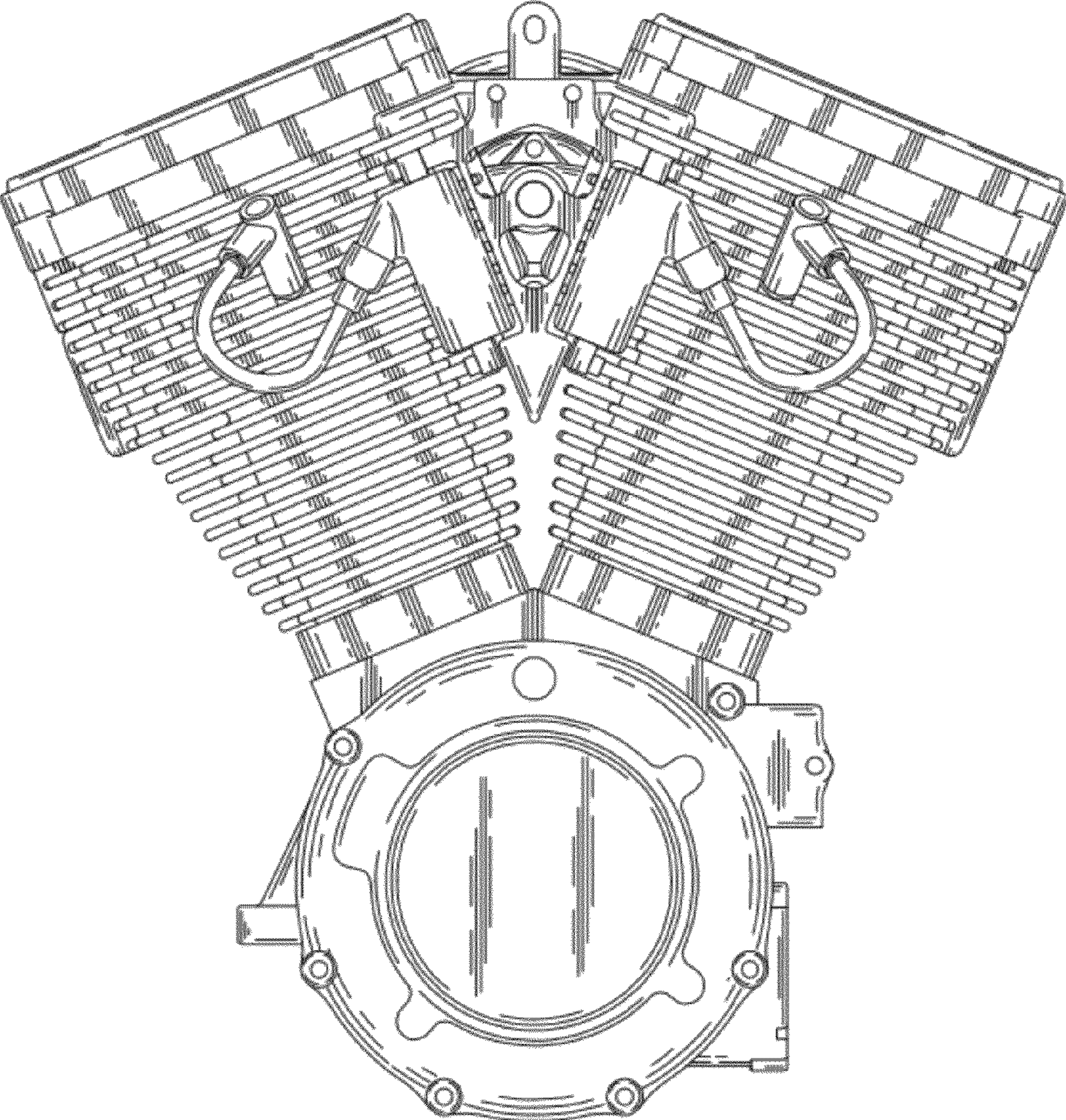


FIG. 3



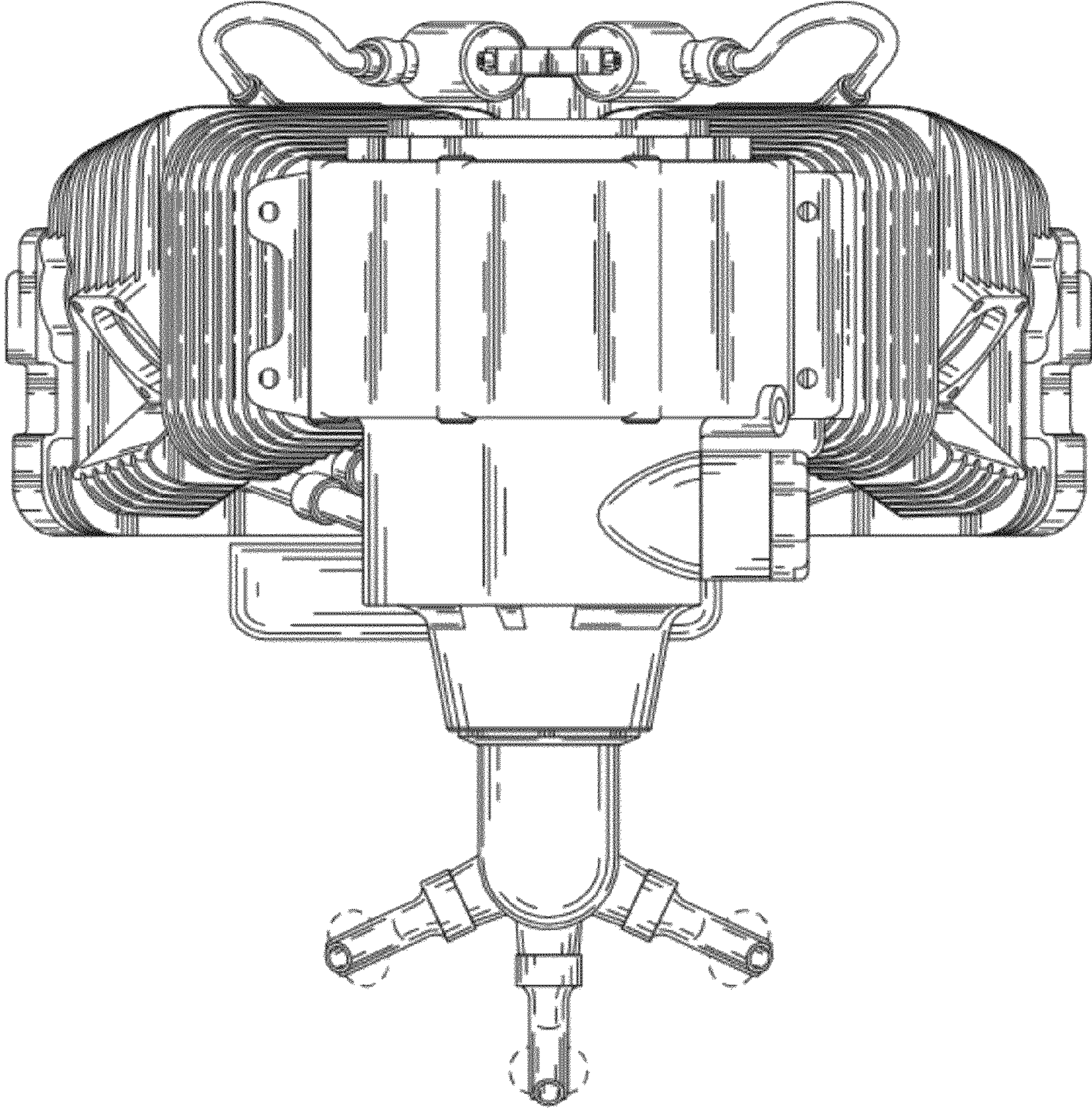


FIG. 4



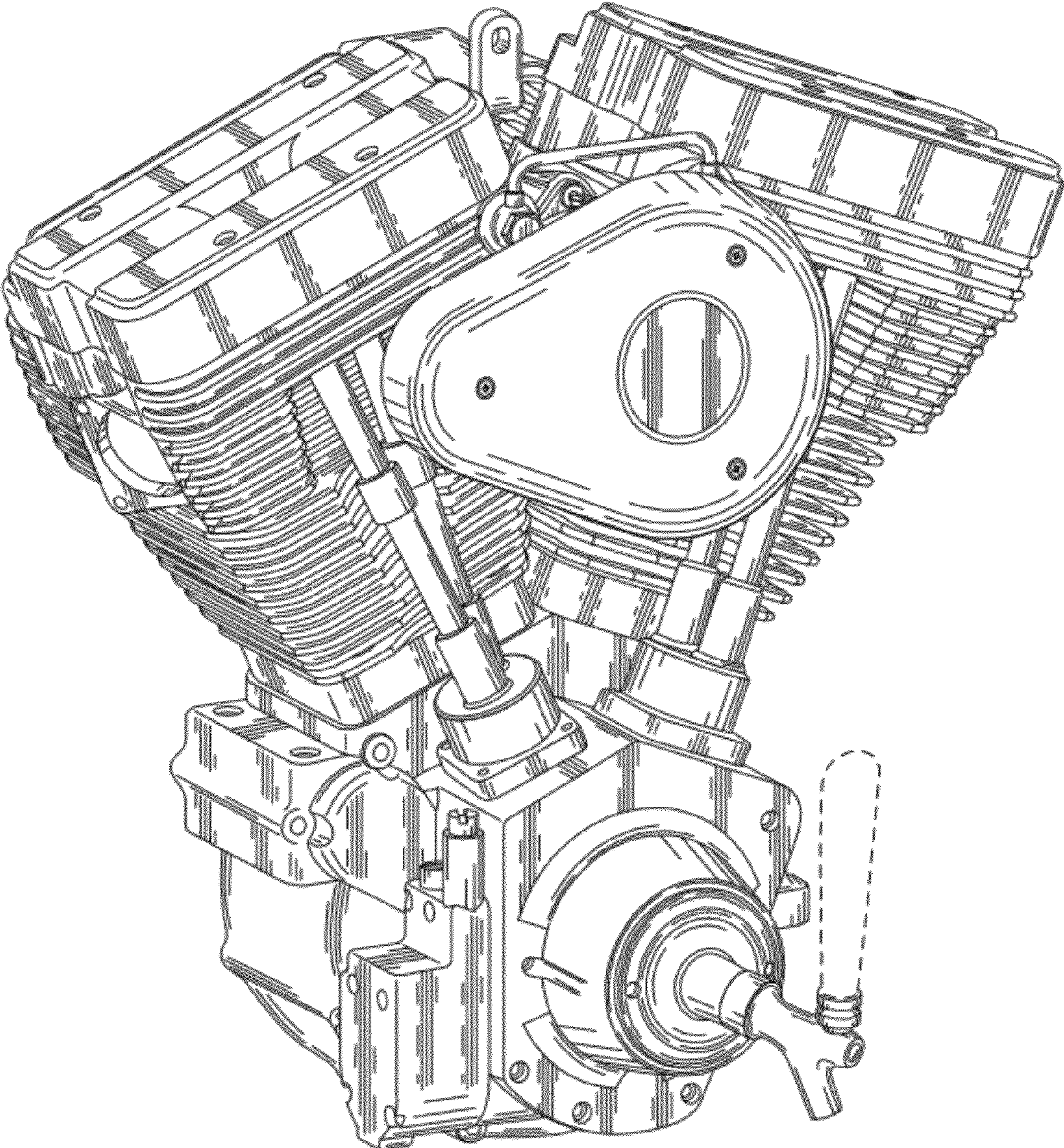


FIG. 5



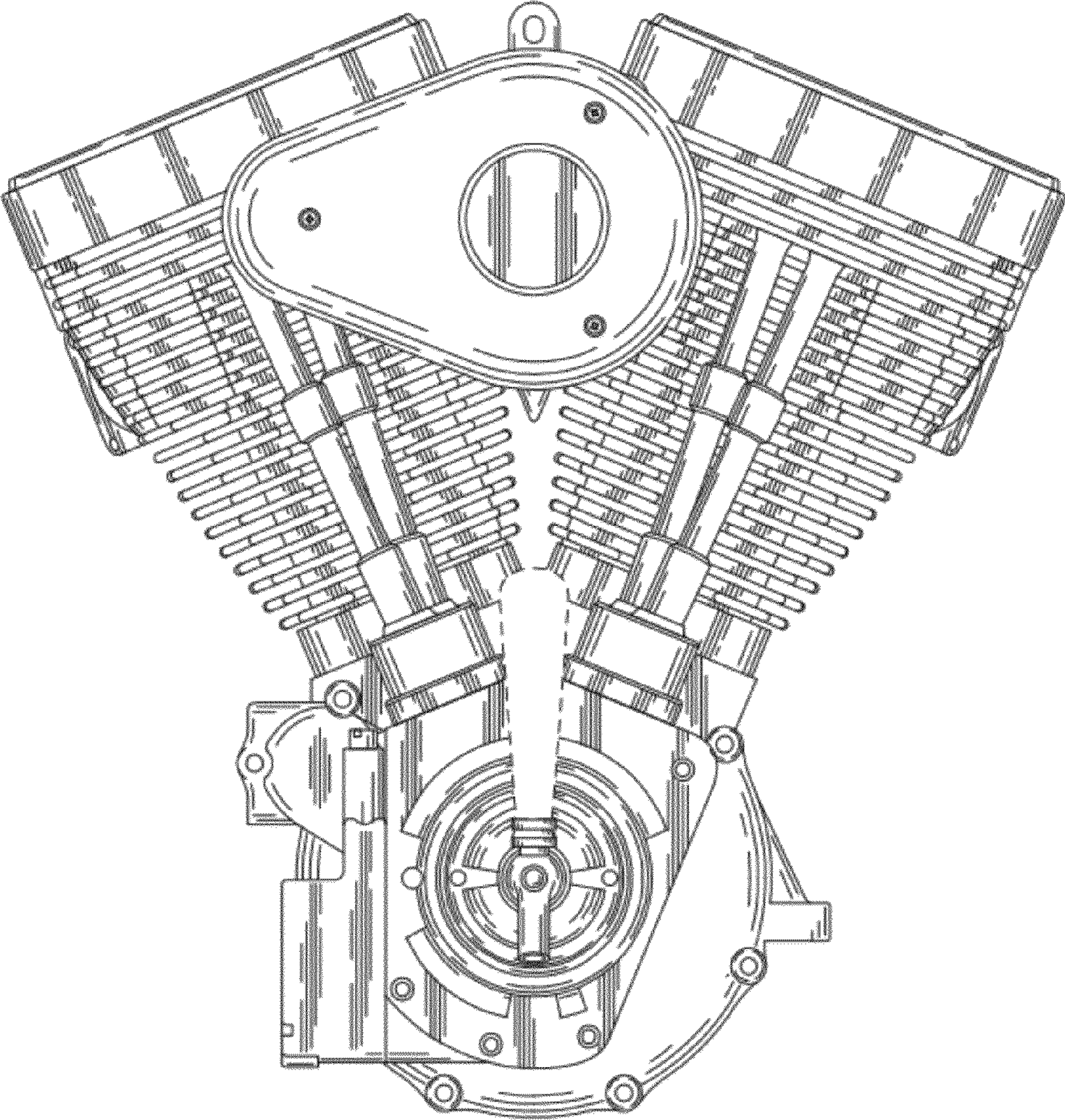


FIG. 6



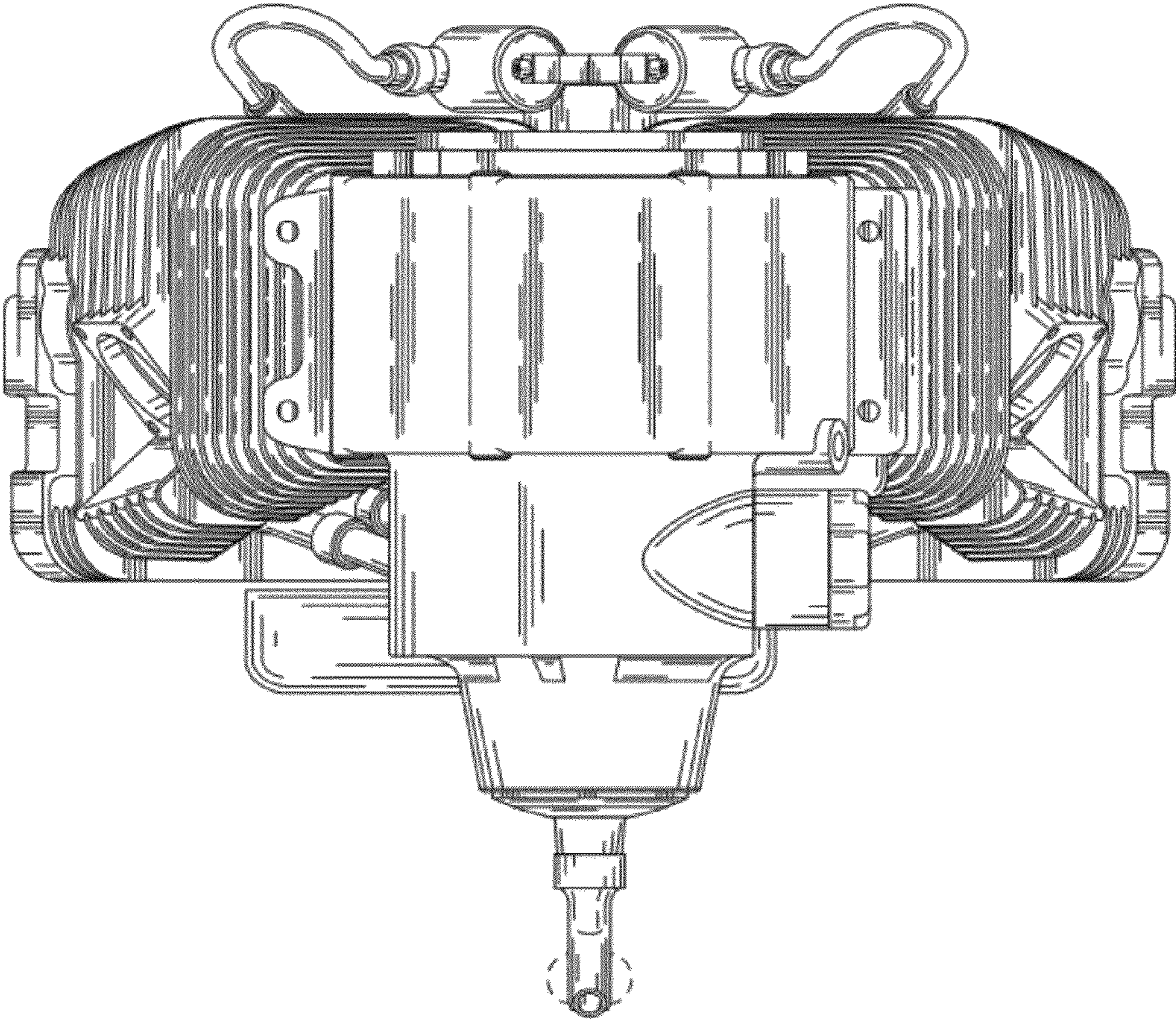


FIG. 7